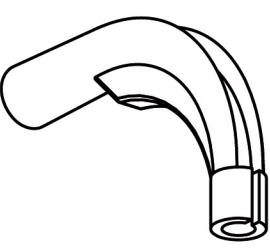
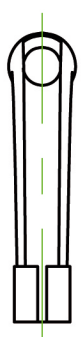


REV.	DESCRIPTION	DRAWN/DATE	CHECK/DATE	APPROVED/DATE
A	NEW RELEASE PER TJECCR-080	LIFENGONG 07/18/08'	WUJUN	JOHNSONWU



NOTES :
 1.0. MATERIAL :
 1.1. Santoprene 251-92W232

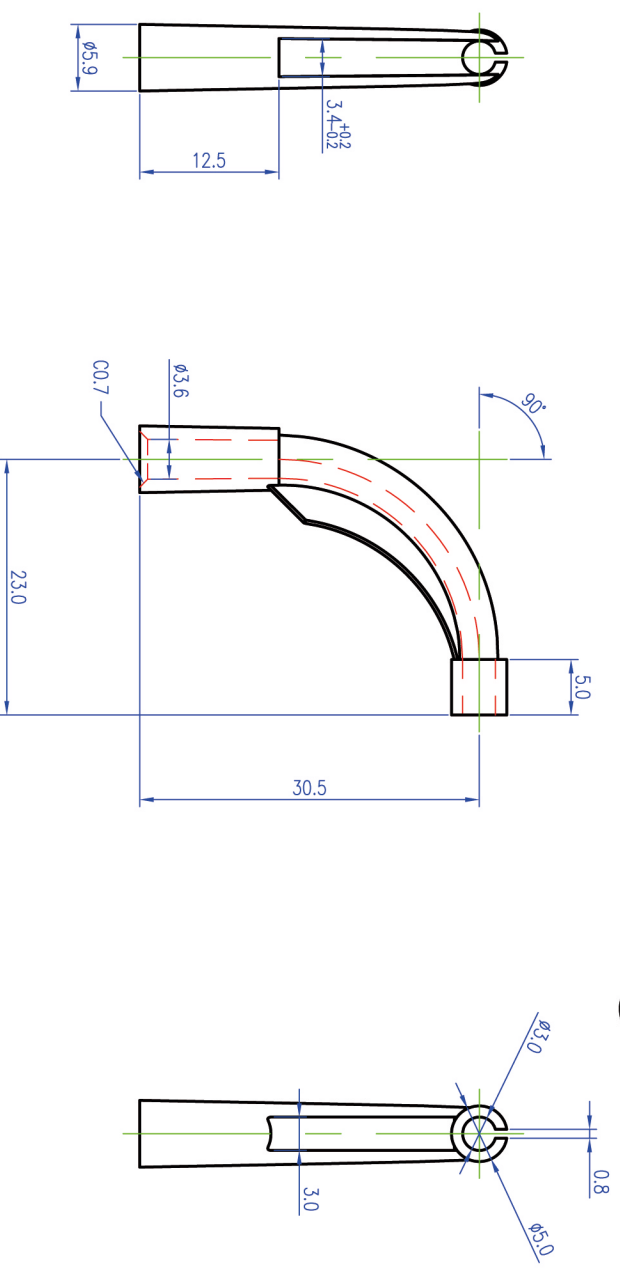


TABLE A : Part Number

F LC20-7 - * 090
 ①

- ① color
- R: RED
- B: BLUE
- K: BLACK
- W: WHITE
- G: GREEN
- E: BEIGE

GENERAL TOLERANCE	ANGLE TOLERANCE	DRAWN	DATE	TITLE
X: ±0.38	X: ±3.0°	LIFENGONG	07/18/08'	 B001, φ2.0mm, 90° LC TYPE (CUSTOMER DRAWING)
.X: ±0.25	.X: ±2.0°	DESIGN	DATE	
.XX: ±0.13	.XX: ±1.0°	LIFENGONG	07/18/08'	
.XXX: ±0.05	.XX: ±1.0°	CHECKED	DATE	
MATL	NOTE	WUJUN		
FINISH	NOTE			
SCALE 2:1	UNIT mm	APPROVED	DATE	SERIES
SHEET 1 of 1		JOHNSONWU		FLC
				DRAWING NO. C-FLC20-7-00-02
				SIZE A3
				REV. A