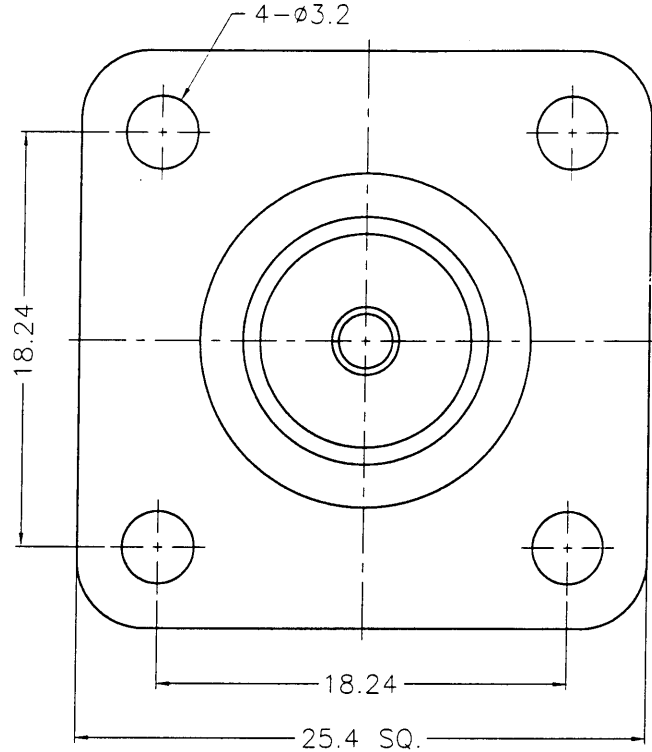
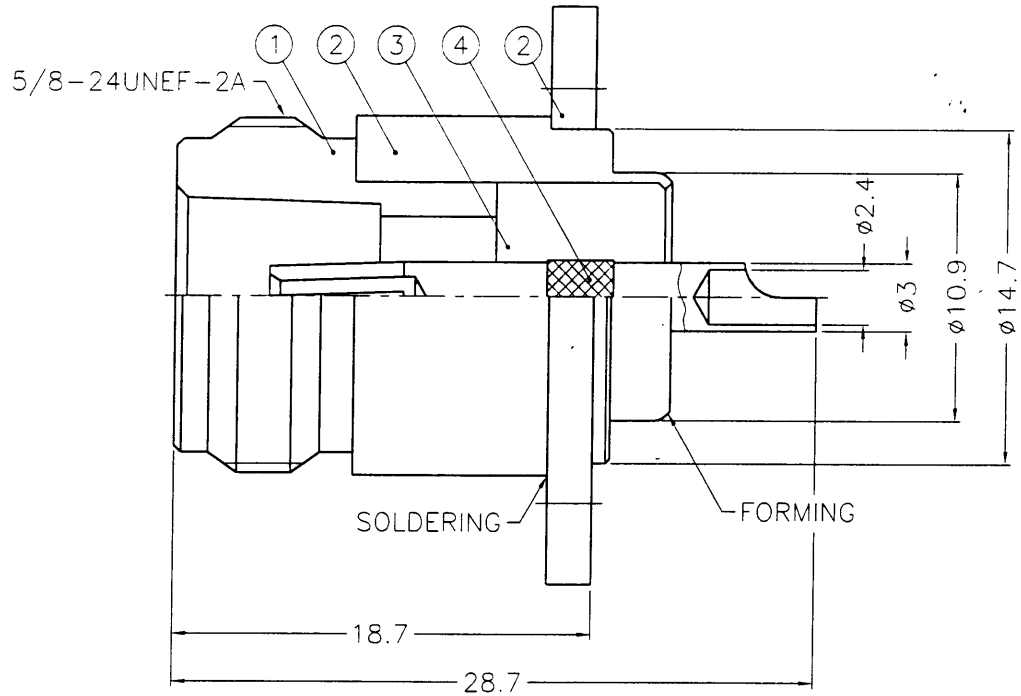


1 2 3 4 5 6 7 8

REVISIONS		
ISS	ZONE	DESCRIPTION\APPROVED\DATE



- NOTES: FINISH (PLATING THICKNESS IN MICRO-INCHES)
1. BRASS PER QQ-B-626
  2. NICKEL PL. 100 MIN. THICK OVER COPPER STRIKE
  3. PHOSPHOR BRONZE PER QQ-B-750
  4. GOLD PL. 3 MIN. THICK OVER NICKEL PL. 100 MIN. THICK OVER COPPER STRIKE
  5. TEFLON MIL-P-19468



DIMENSIONS ARE IN MILLIMETERS					PART NO.		KAI JACK INDUSTRIAL CO., LTD. TAINAN TAIWAN R.O.C.		
4	CONTACT PIN	NOTE 3	NOTE 4	1	N6551A1-4-B	UNLESS OTHERWISE SPECIFIED TOLERANCES 0.5-6 = ±0.2 6-30 = ±0.4 30-120 = ±0.6 120-315 = ±1 315-1000 = ±1.6 1000-2000 = ±2.4	APPROVED	DATE	TITLE
3	INSULATOR	NOTE 5	NATURAL	1	N6551A1-3T-50-B		Mark C	11-28-98'	N PANEL RECEPT. JACK
2	HOUSING WITH PANEL	NOTE 1	NOTE 2	1	N6551A1-2S		Mark C	11-28-98'	DRAWING NO.
1	BODY	NOTE 1	NOTE 2	1	N7900-4		Betty S	11-28-98'	KJ-N6551A1-NT3G-50
NO.	DESCRIPTION	MATERIAL	FINISH	Q'TY	DRAWING NO.	SCALE	3/1	ISSUE	A
						FILE NO.		F:\DWG\N\6551A1\50\NT3G	

17-119 80-R1461