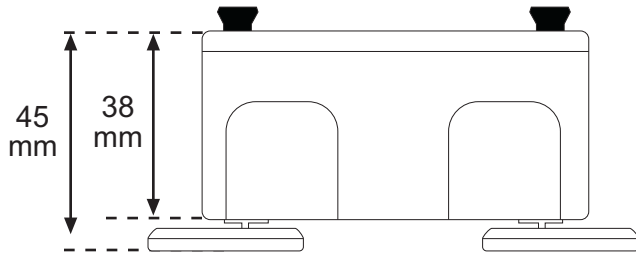
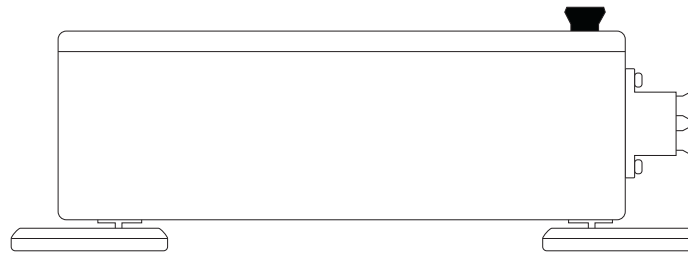


8 Port Optical Fiber Distribution with 4 LC Duplex Adapters

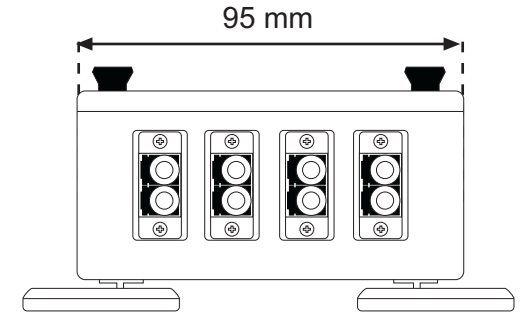
Back View



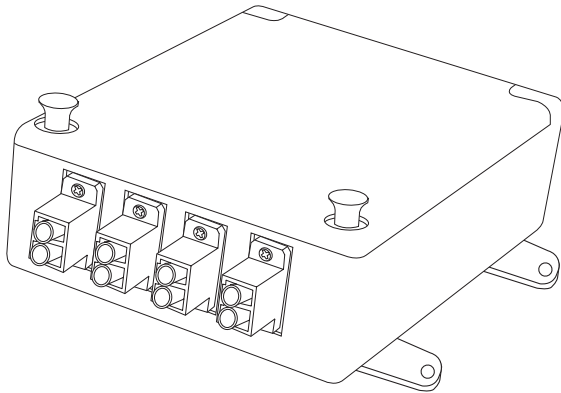
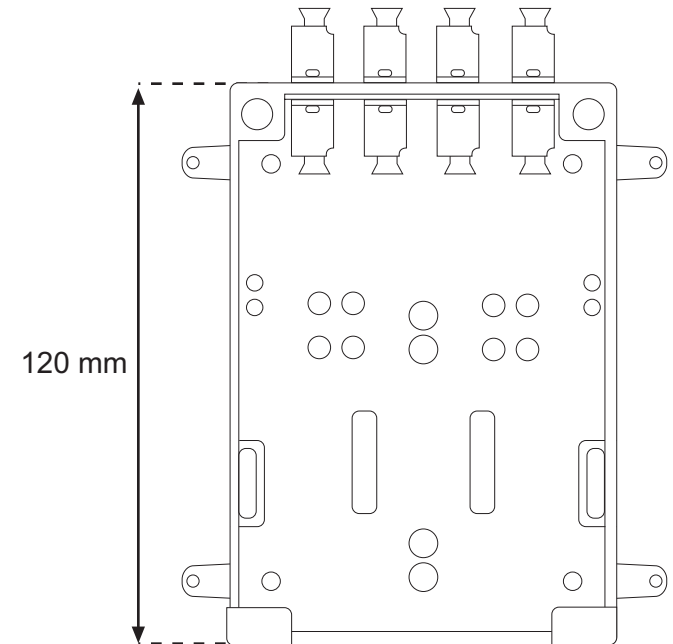
Side View



Front View



Upper View



Accessories included

- LC / LC fully loaded adapters
- Splice Holder
- Dual mounting system (Wall / Rack)
- Quick Open/Close system
- Bracket to hold external plant cable
- Clamps to hold reserve fiber
- Support for central strength member

Adapters Technical Information

CHARACTERISTICS	CONDITIONS	VALUE
Insertion Loss		<0.15db
Durability	500 matings	<0.20db
Temperature Cycling	-40°C ~ + 80°C (42 cycles)	<0.20db
Humidity Cycling	75°C, 95%/336hr	<0.20db
Vibration	10 ~55Hz(2hr)	<0.20db
Impact	1.5m drop, 8 times	<0.20db

FEATURES & BENEFITS

- Compliant with: JIS, IEC
- Convenient and ease of handling
- Optical performance 100% factory tested
- Flanged or threaded mounting hardware
- Excellent concentricity

APPLICATIONS

- Telecommunications networks
- CATV networks
- Data communications networks
- Active device termination
- Instrumentation
- Local Area Networks