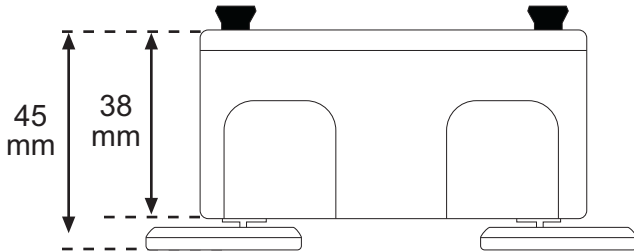
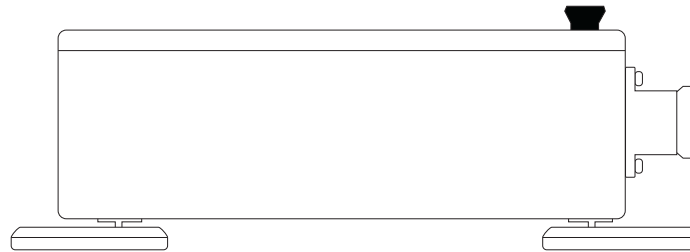


# 4 Port Optical Fiber Distribution with SC Adapters

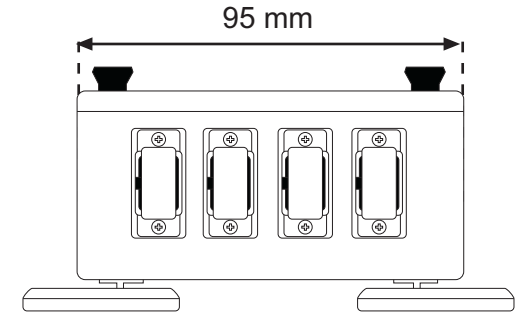
**Back View**



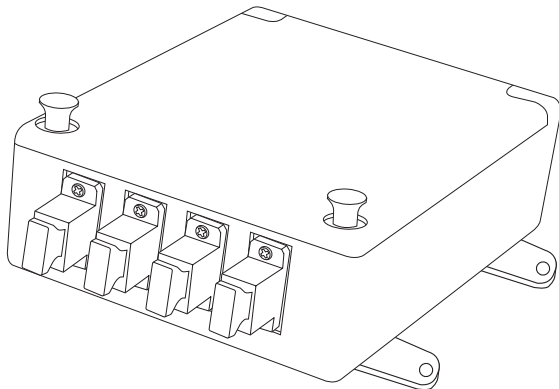
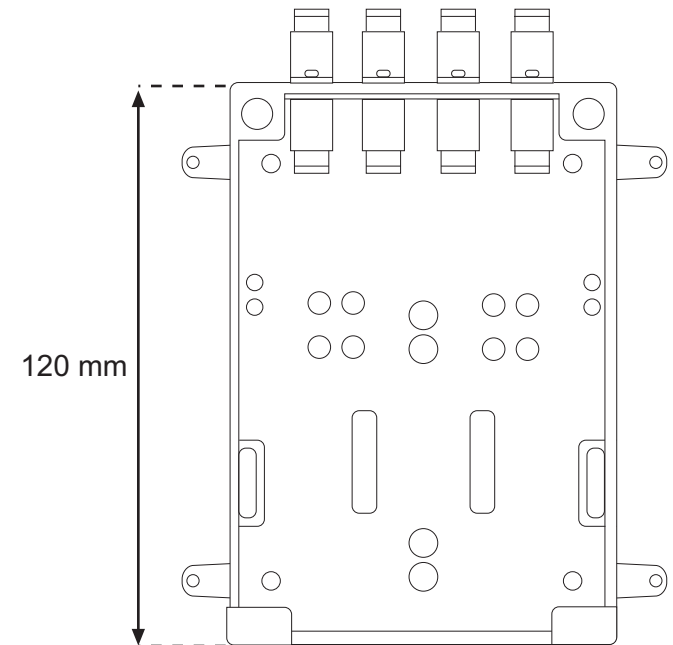
**Side View**



**Front View**



**Upper View**



**Accessories included**

- SC / SC fully loaded adapters
- Splice Holder
- Dual mounting system (Wall / Rack)
- Quick Open/Close system
- Bracket to hold external plant cable
- Clamps to hold reserve fiber
- Support for central strength member

**Adapters Technical Information**

| CHARACTERISTICS     | CONDITIONS                 | VALUE   |
|---------------------|----------------------------|---------|
| Insertion Loss      |                            | <0.15db |
| Durability          | 500 matings                | <0.20db |
| Temperature Cycling | -40°C ~ + 80°C (42 cycles) | <0.20db |
| Humidity Cycling    | 75°C, 95%/336hr            | <0.20db |
| Vibration           | 10 ~55Hz(2hr)              | <0.20db |
| Impact              | 1.5m drop, 8 times         | <0.20db |

**FEATURES & BENEFITS**

- Compliant with: JIS, IEC
- Convenient and ease of handling
- Optical performance 100% factory tested
- Flanged or threaded mounting hardware
- Excellent concentricity

**APPLICATIONS**

- Telecommunications networks
- CATV networks
- Data communications networks
- Active device termination
- Instrumentation
- Local Area Networks